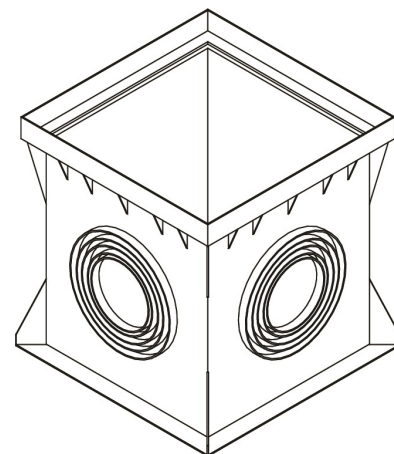
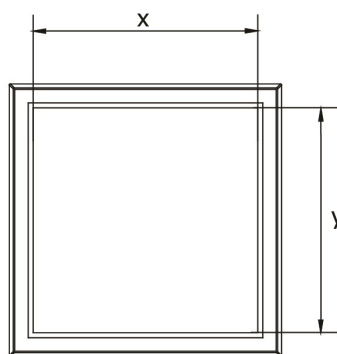
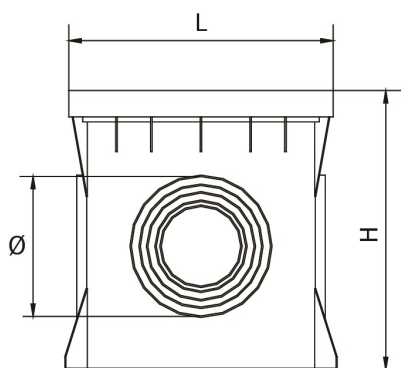




## Drain Box TOP 55x55



### Dimensions and features

N.B. Dimensions and weights are subjected to the normal tolerances of the manufacturing

External Dimensions L x L (mm)	542 x 542
Height X x Y (mm)	520
Open Area (mm)	500 x 500
Outlets	Ø160 - Ø205 - Ø250 - Ø320
Material	PP
Color	Light Grey
Weight	4.35

### Compatible Gratings

Grating  
Cover

The Drain Boxes of SUOLO Series are realized in PP material.

Areas of use: collect and carry the water drain of the gardens and pedestrian areas.

Main features:

- Lightness and solidity
- Easy to install
- UV resistant